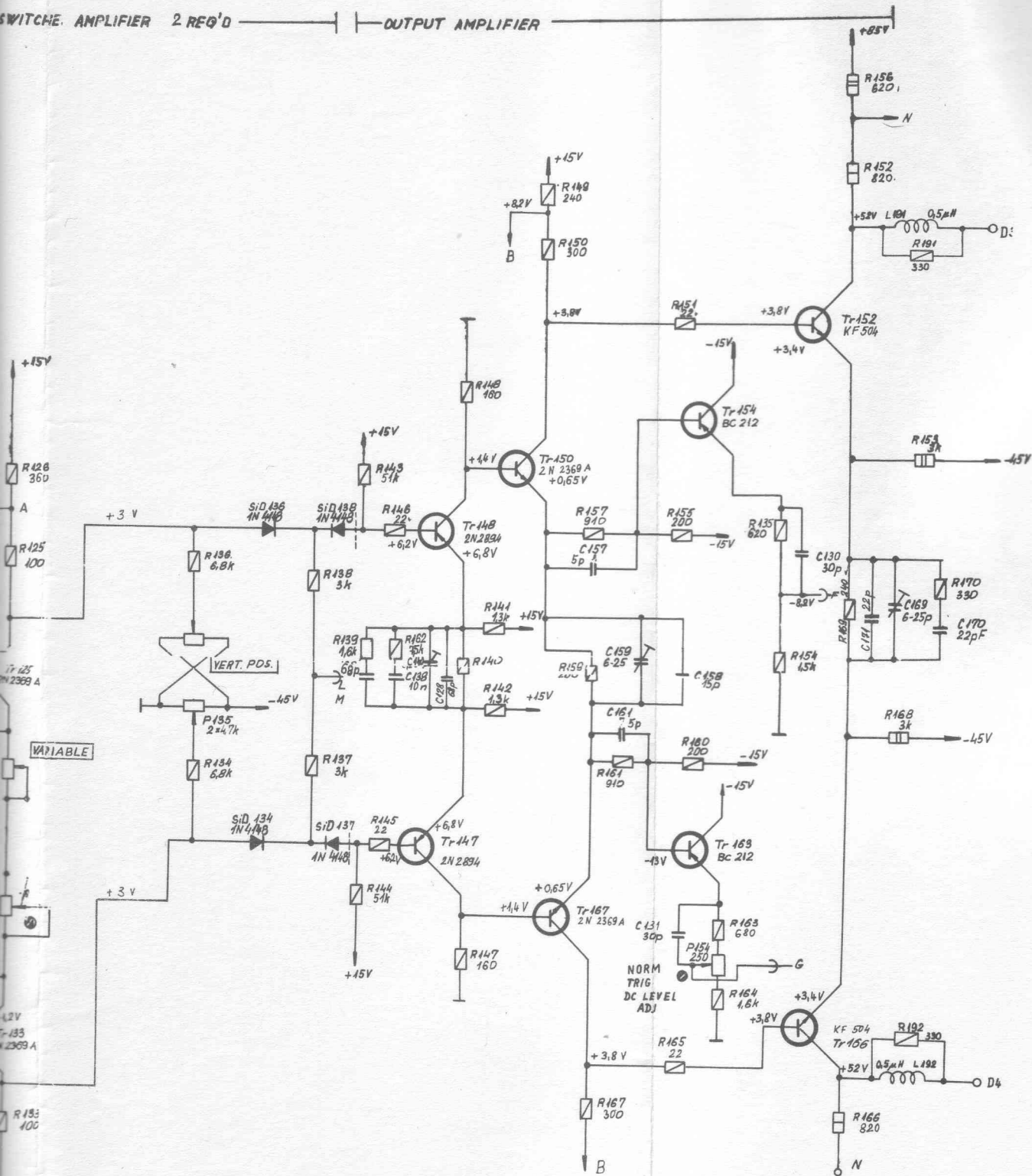


1569

SWITCH. AMPLIFIER 2 REQ'D ———— OUTPUT AMPLIFIER



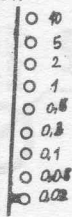
2/1
1569

GND

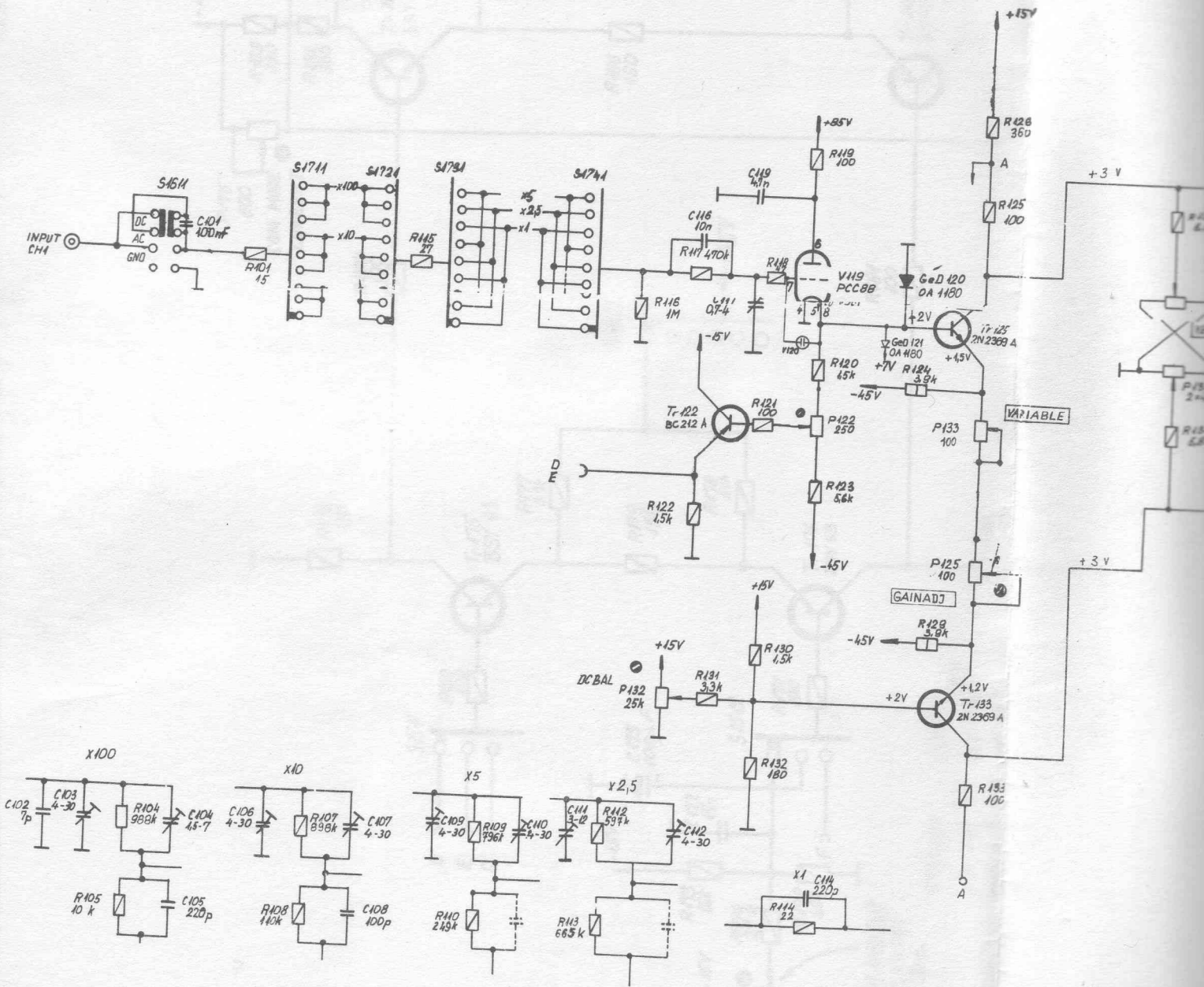
AC-DC
5/15



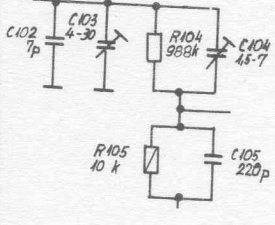
VOLTS/CM
5/7



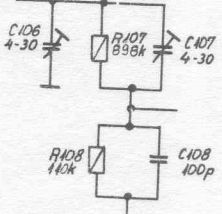
TYPICAL SWITCH AMPLIFIER 2 RE



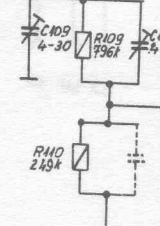
X100



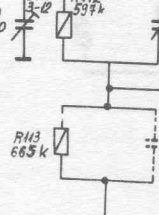
X10



X5



X2,5



X1



DC BAL

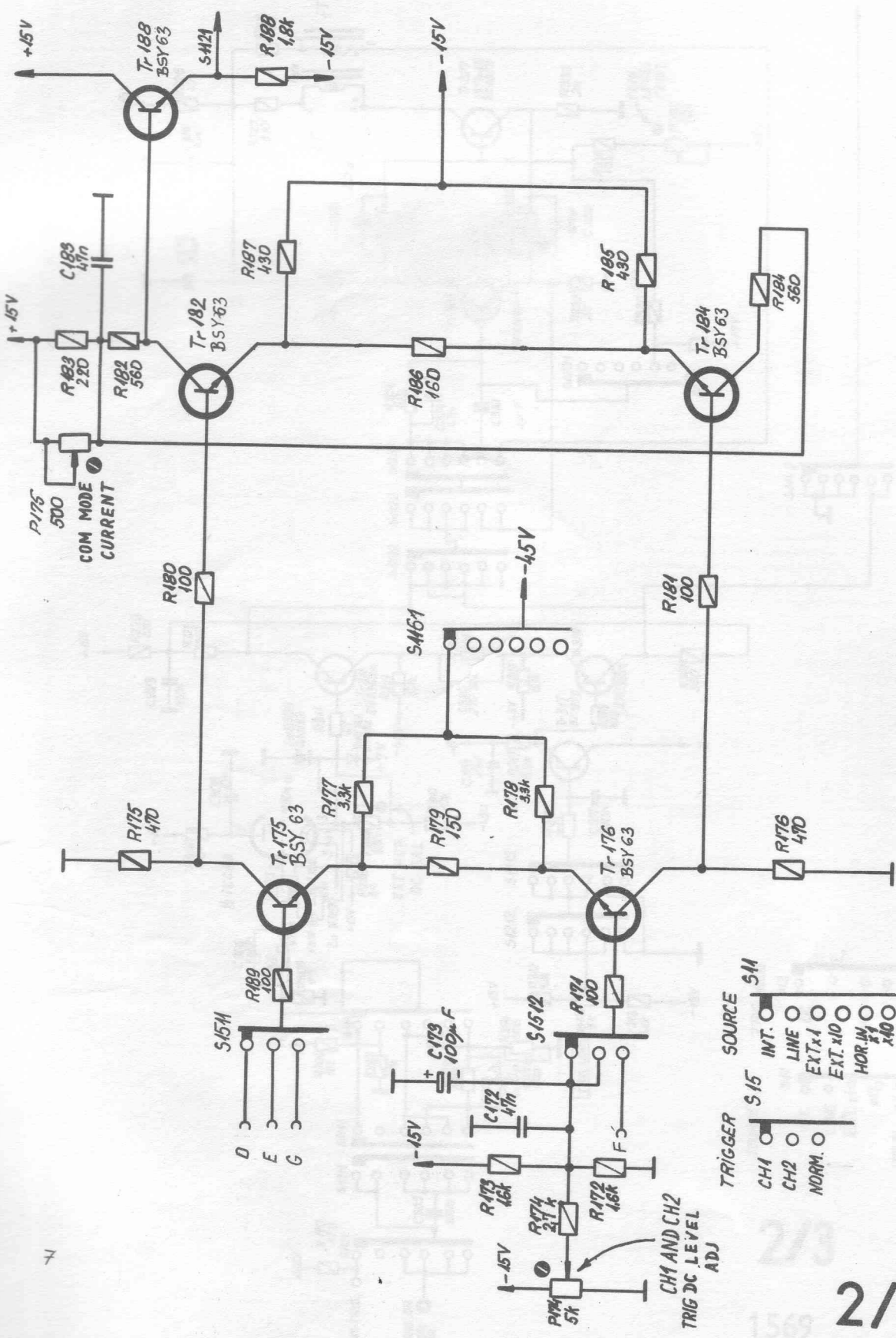


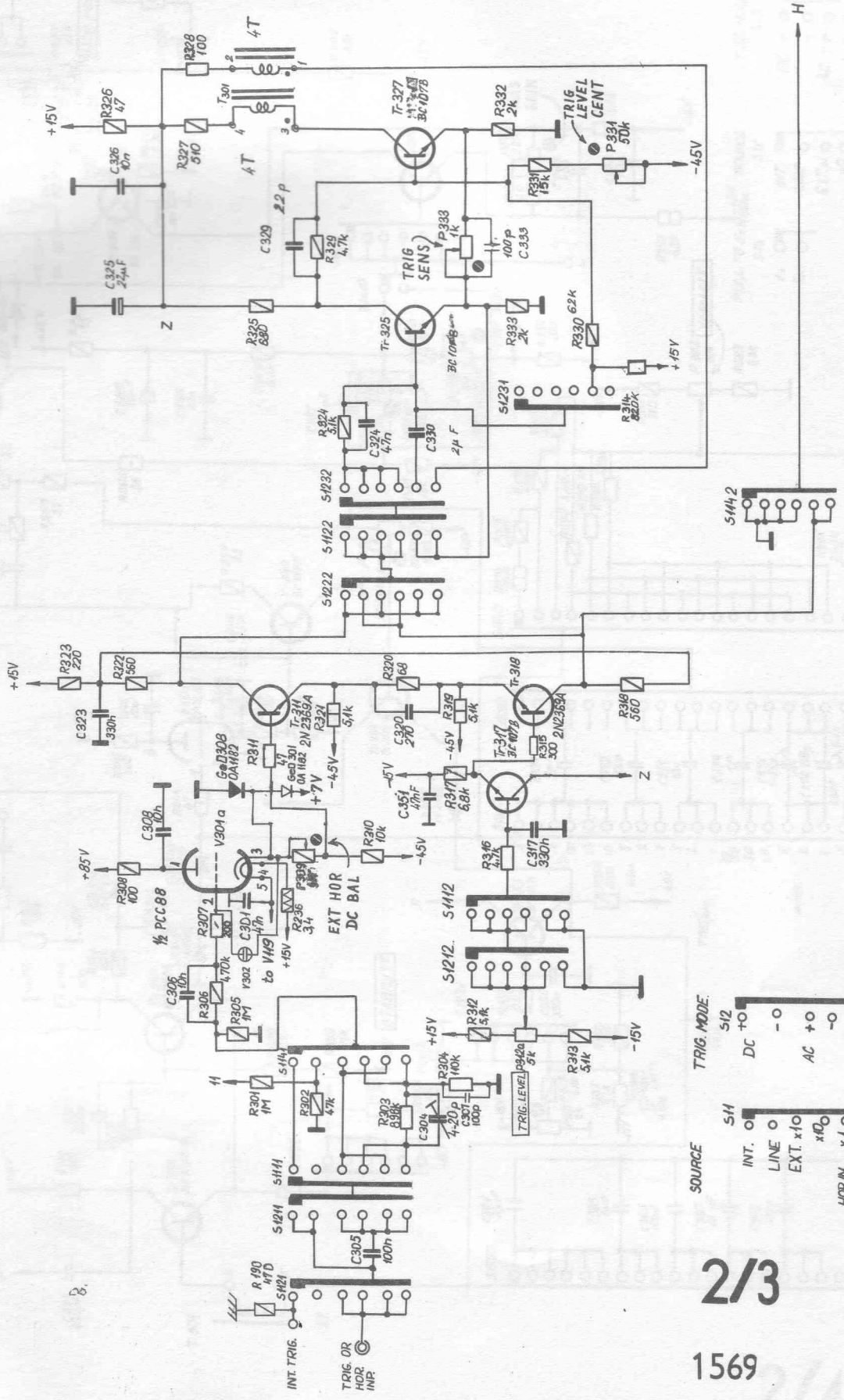
GAIN ADJ



VARIABLE



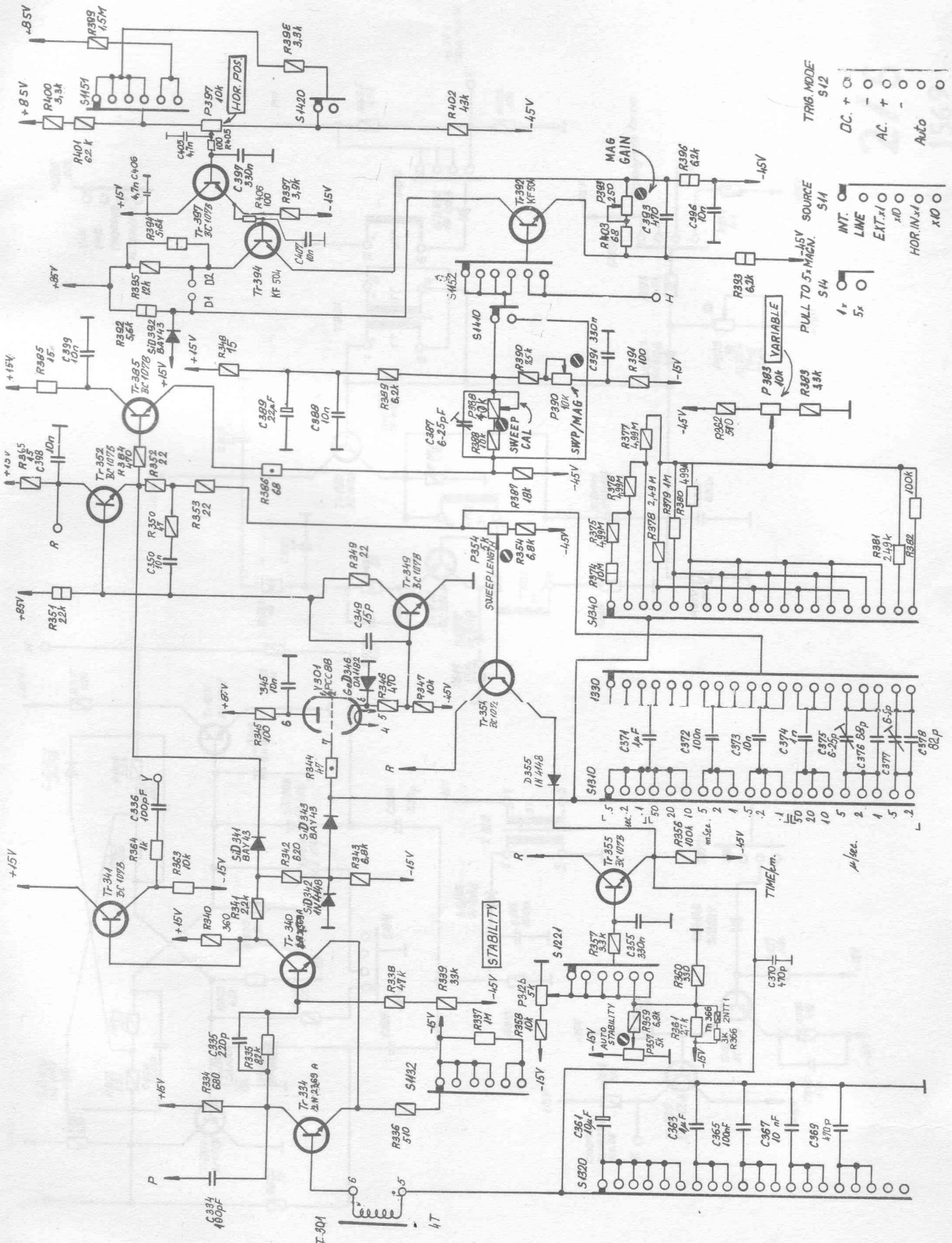


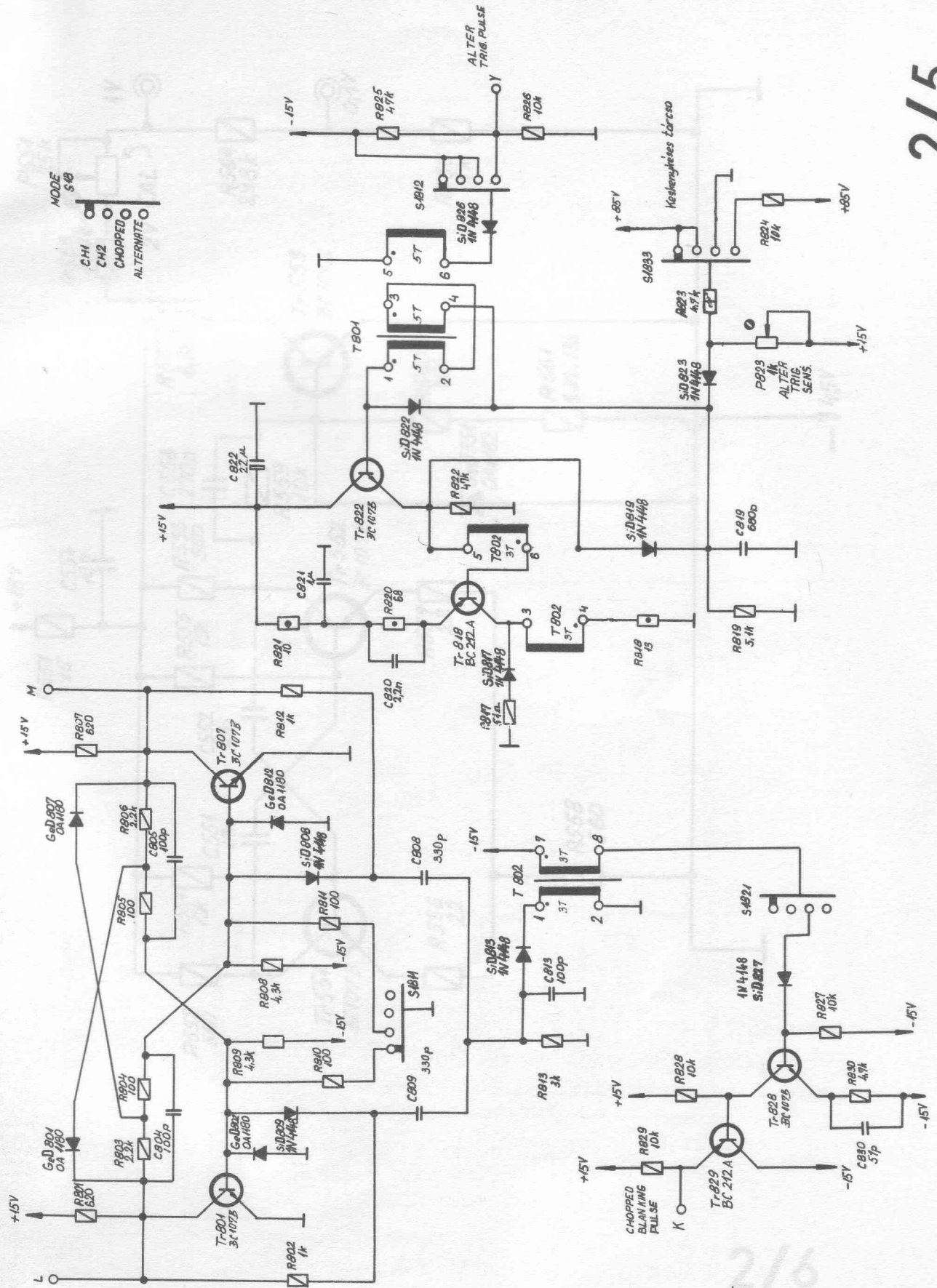


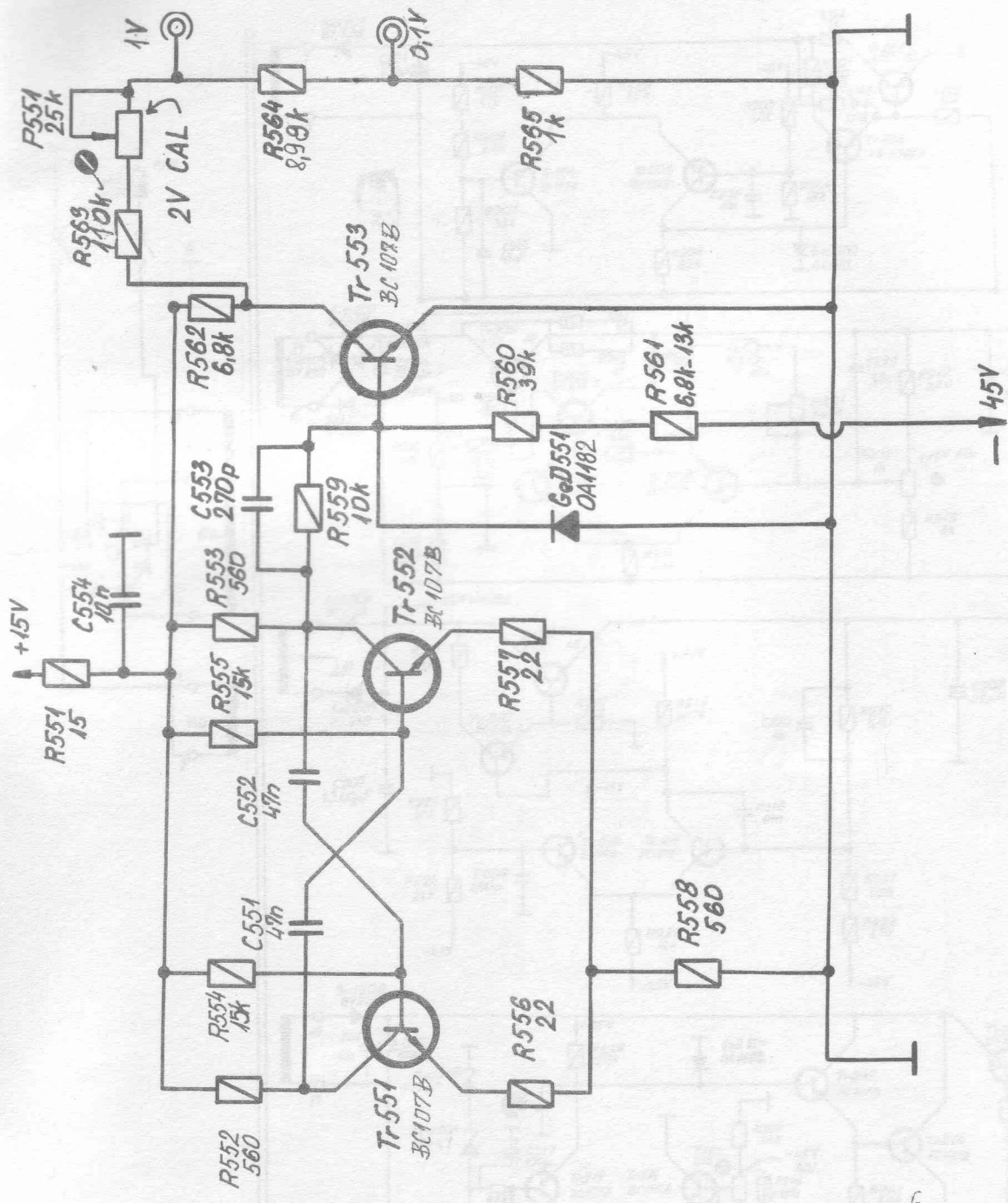
SOURCE		TRIG. MODE	
INT.	<input type="radio"/>	DC	<input type="radio"/>
LINE	<input type="radio"/>	AC	<input type="radio"/>
EXT. x10	<input type="radio"/>	AUTO	<input type="radio"/>
HOR IN	<input type="radio"/>	HF	<input type="radio"/>
	<input type="radio"/>		<input type="radio"/>

2/3

1569



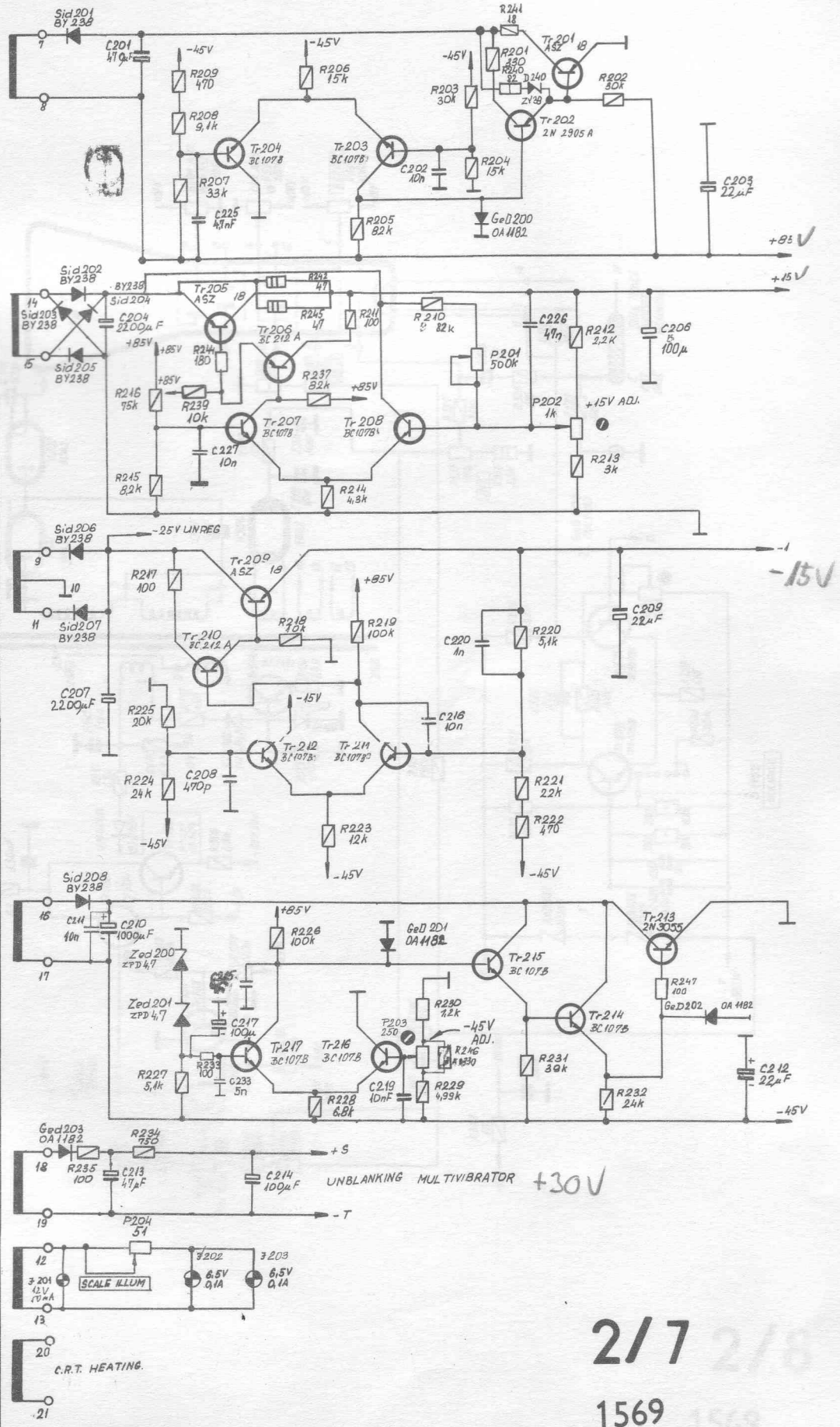
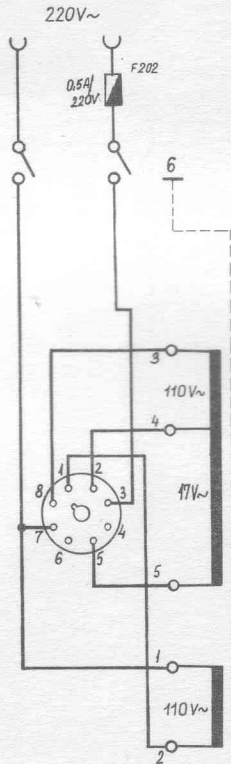




2/6

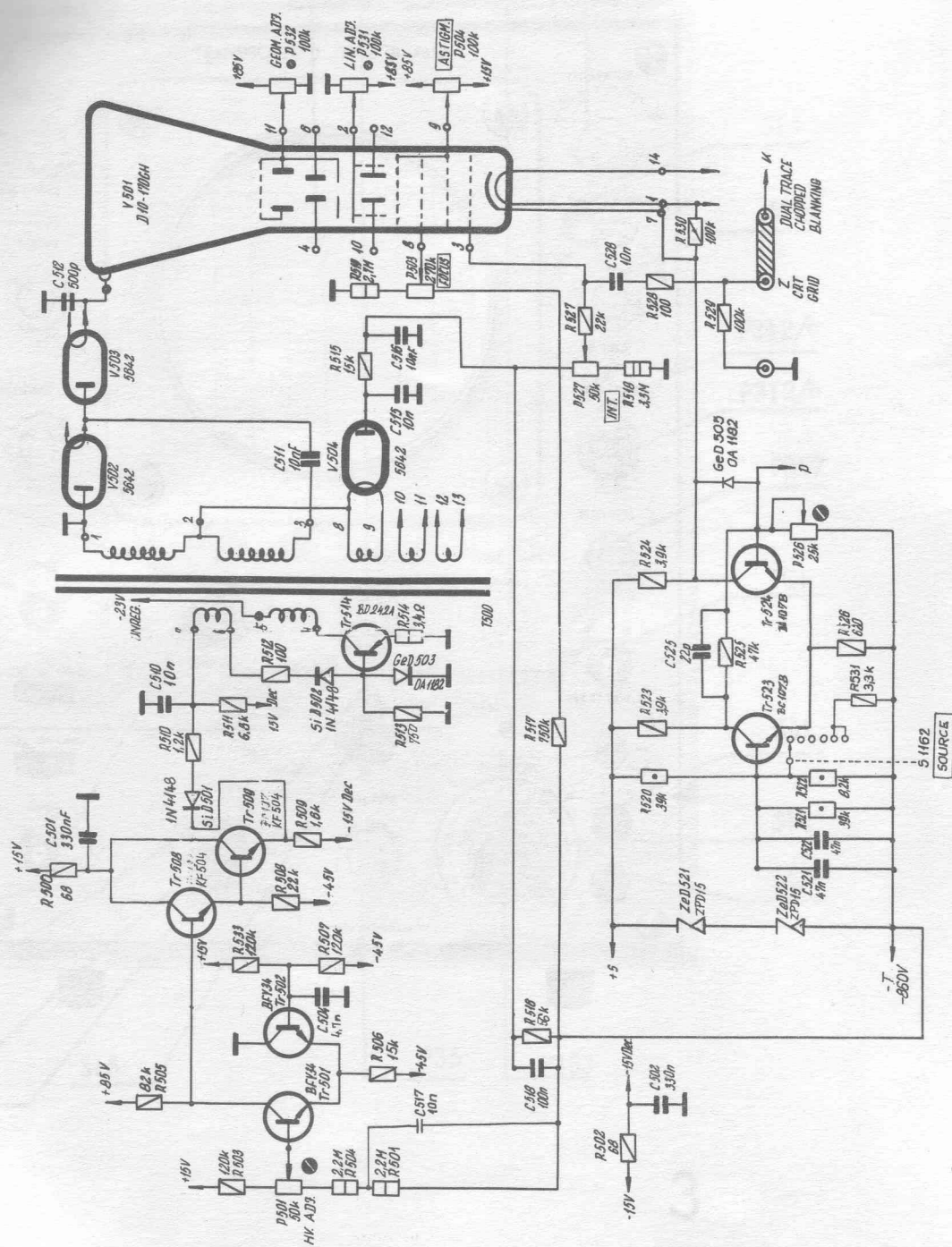
1569

1569

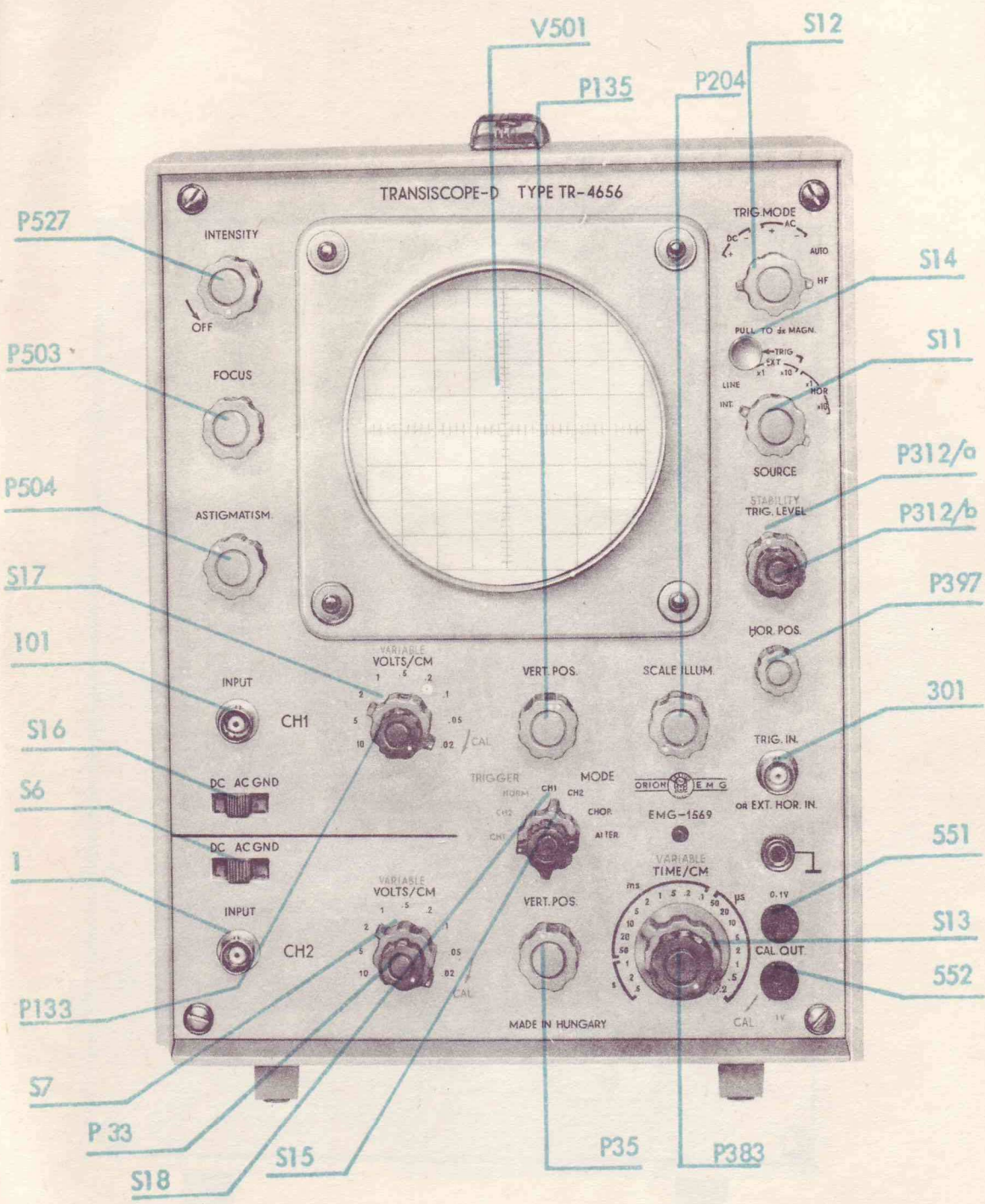


2/7 2/8
1569 1569

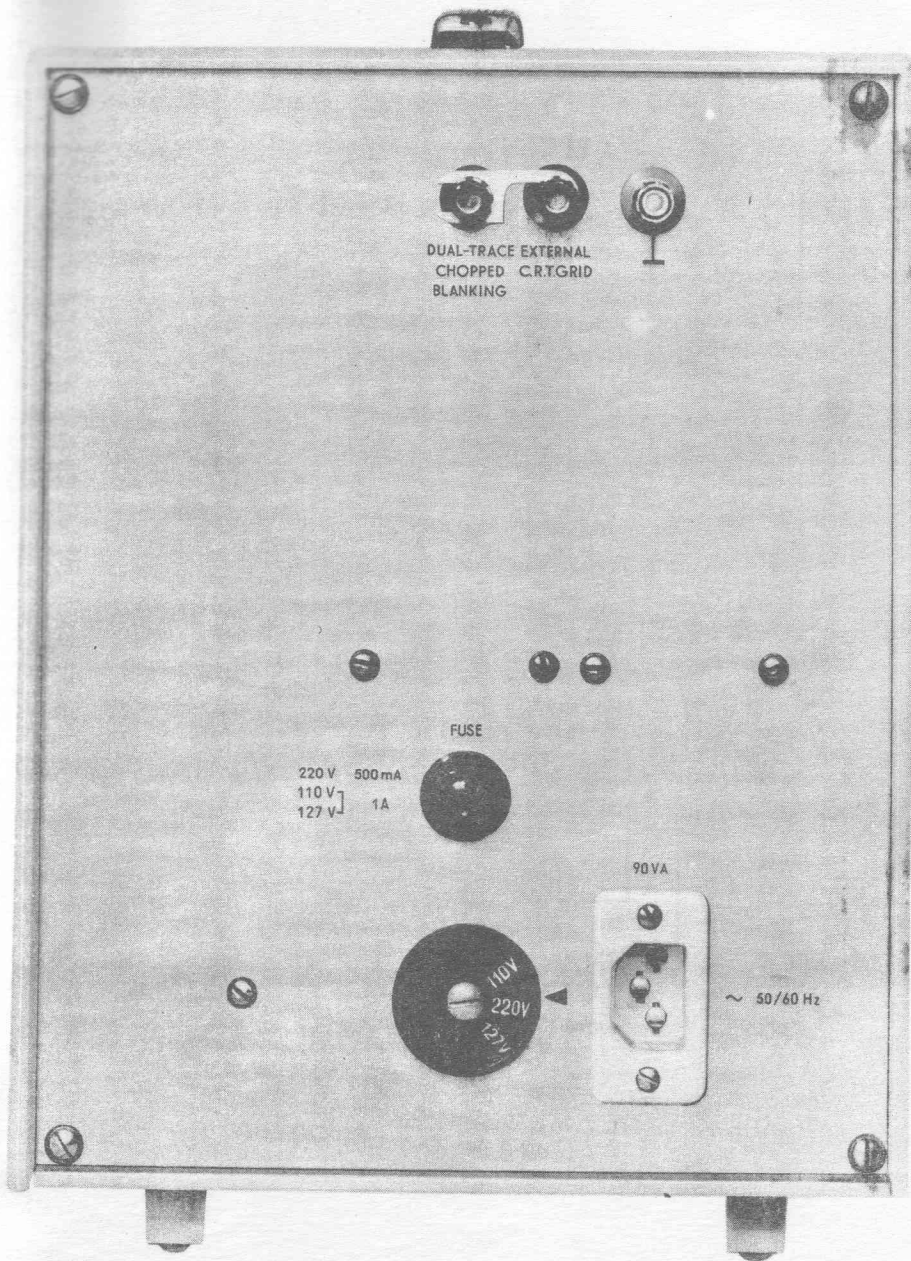
11



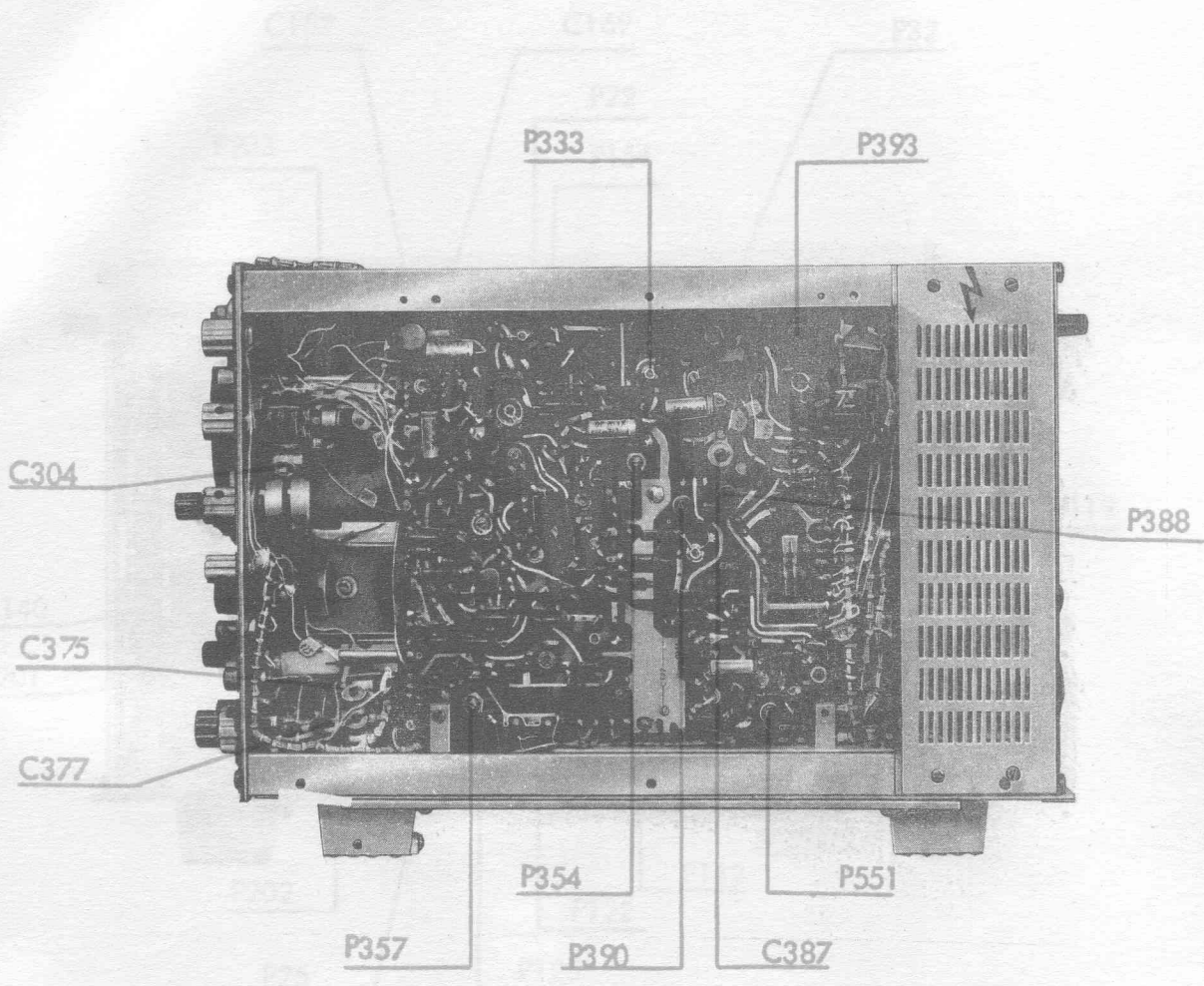
EMG-1569

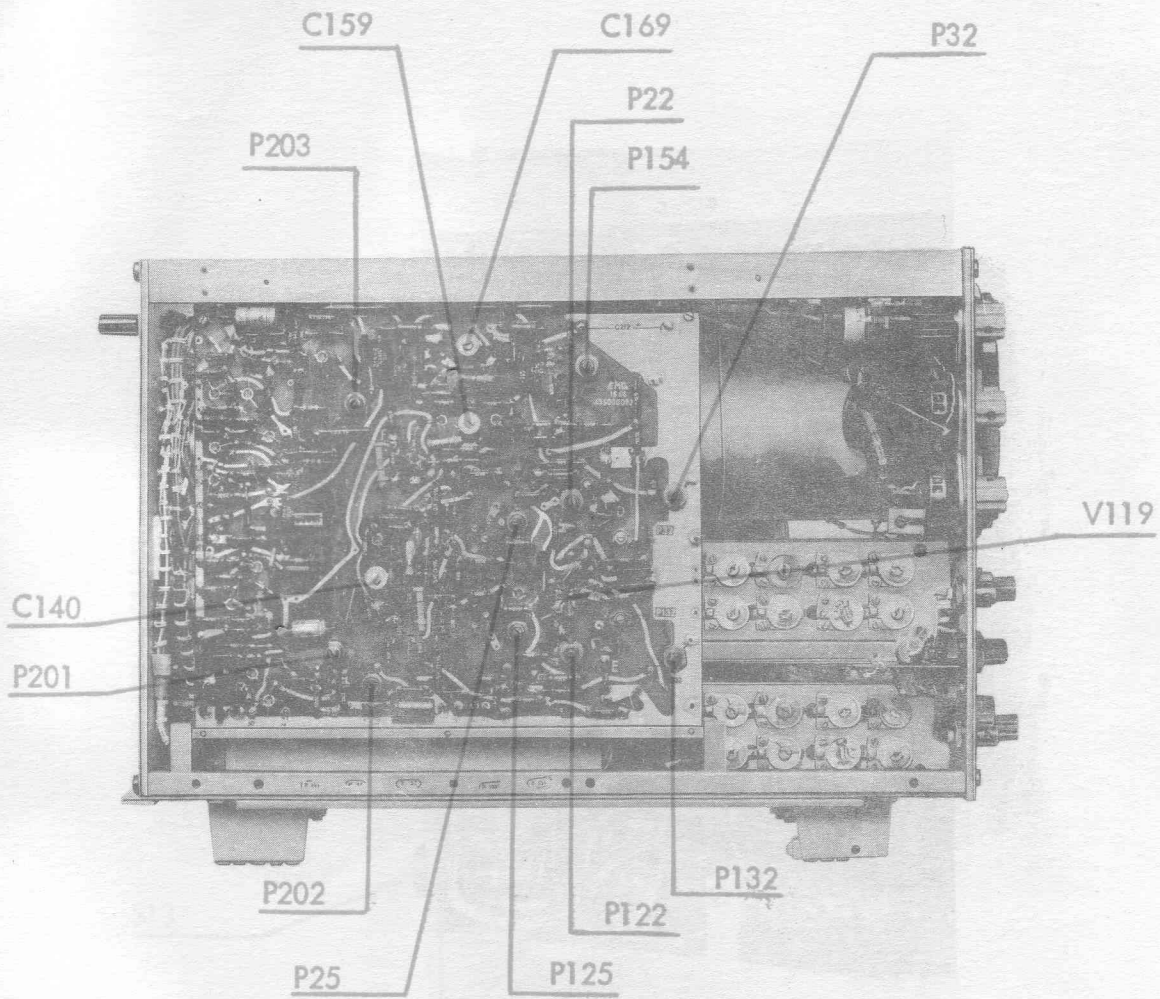


3
EMG-1569

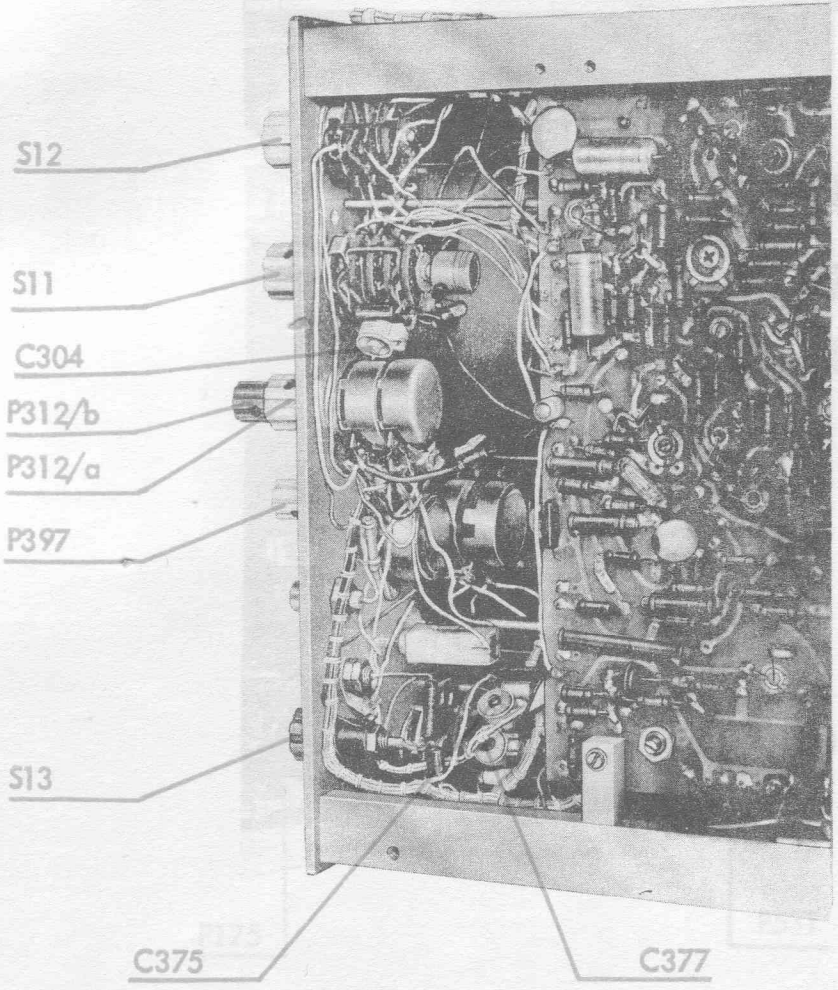


4
EMG-1569





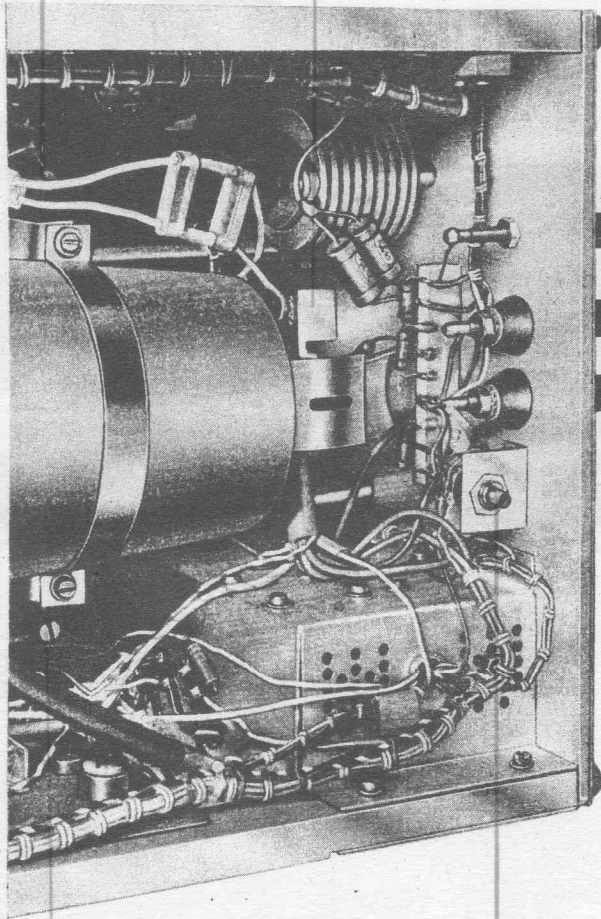
6
EMG-1569
EMG-1569



7
EMG-1569

P174

TR201



503

502

501

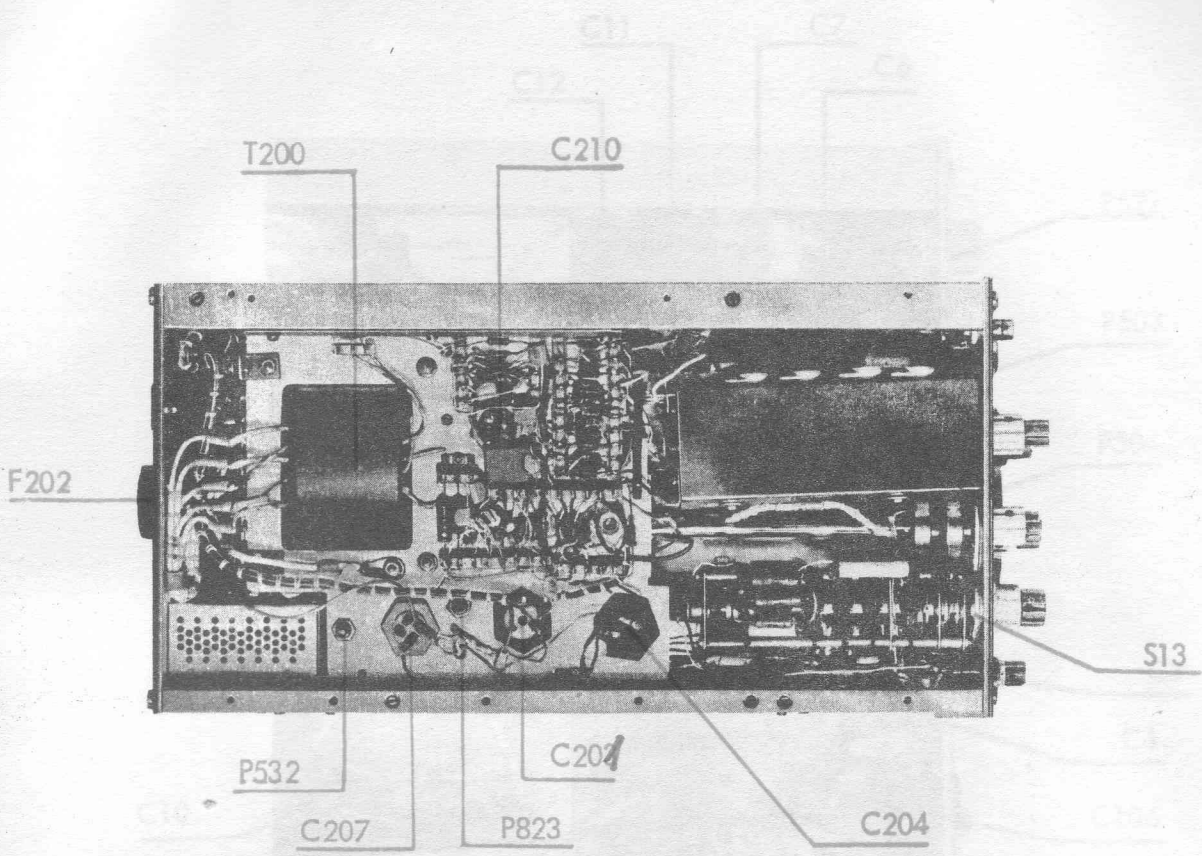
P175

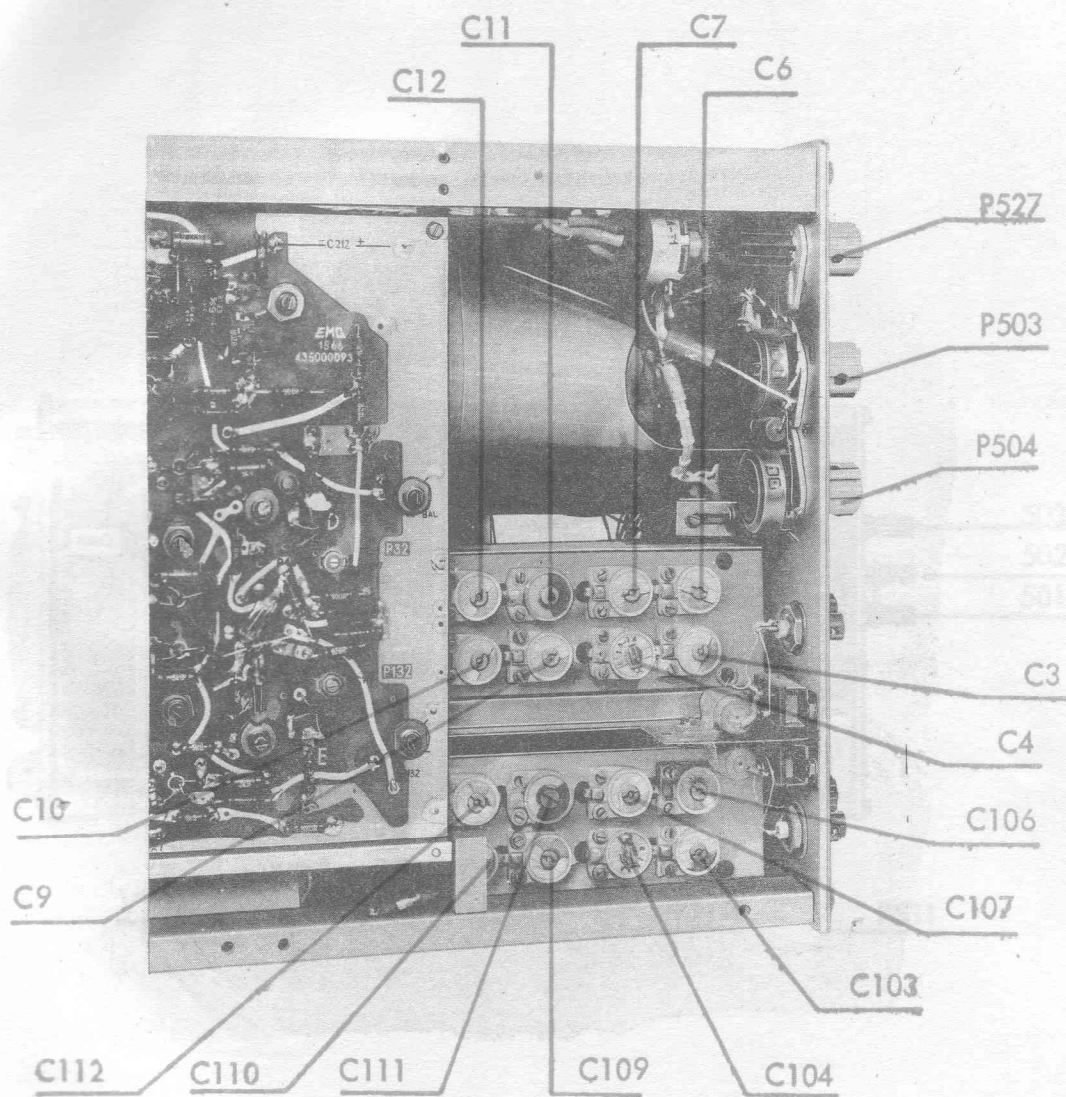
P531

EMG-1569

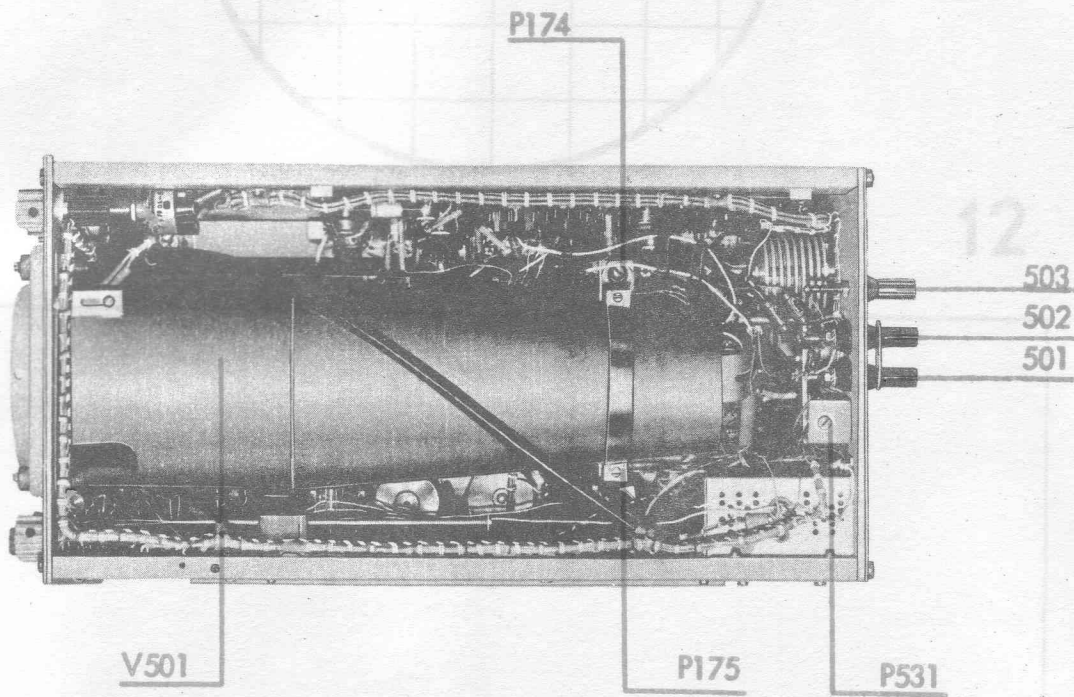
8

EMG-1569

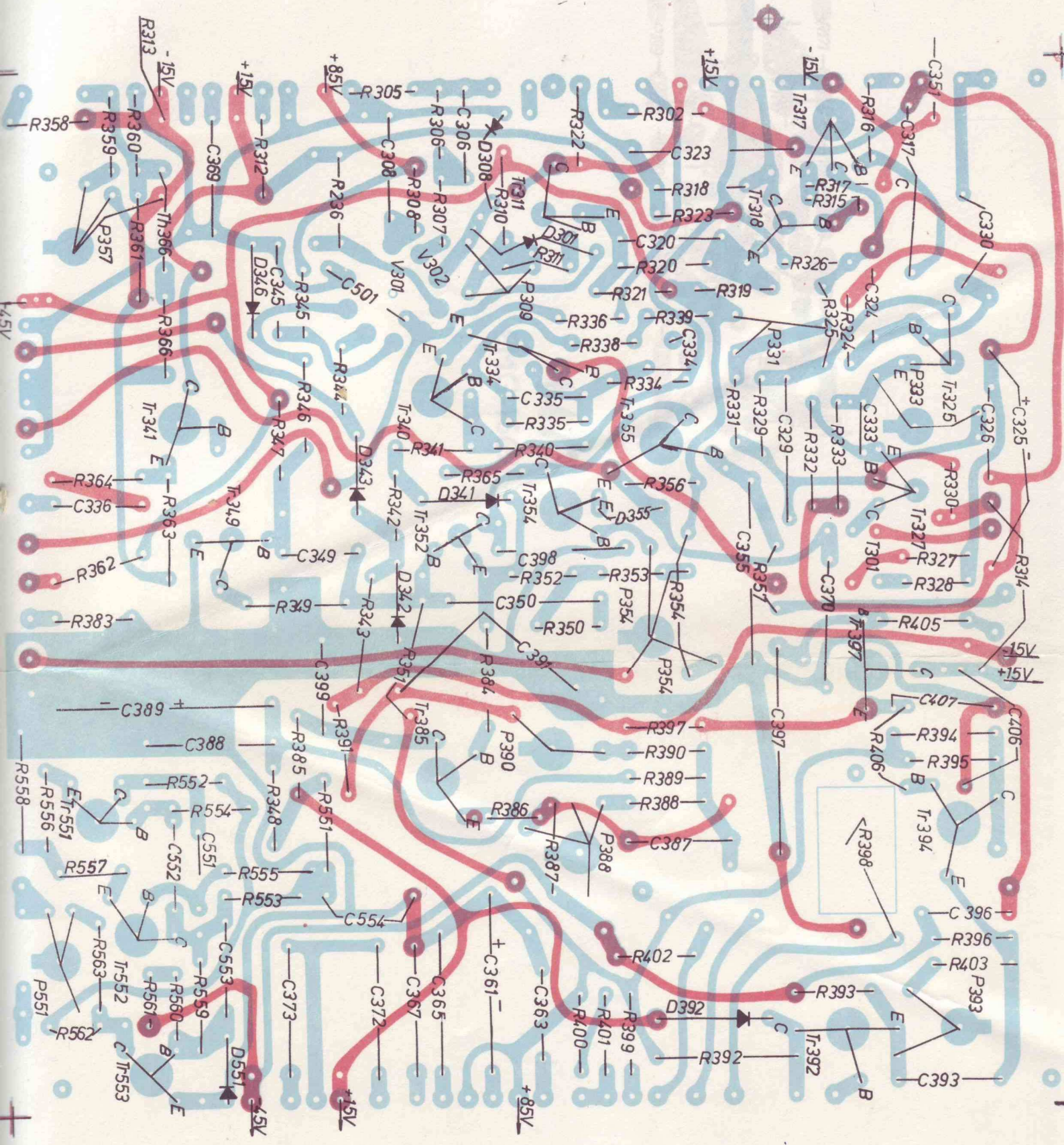


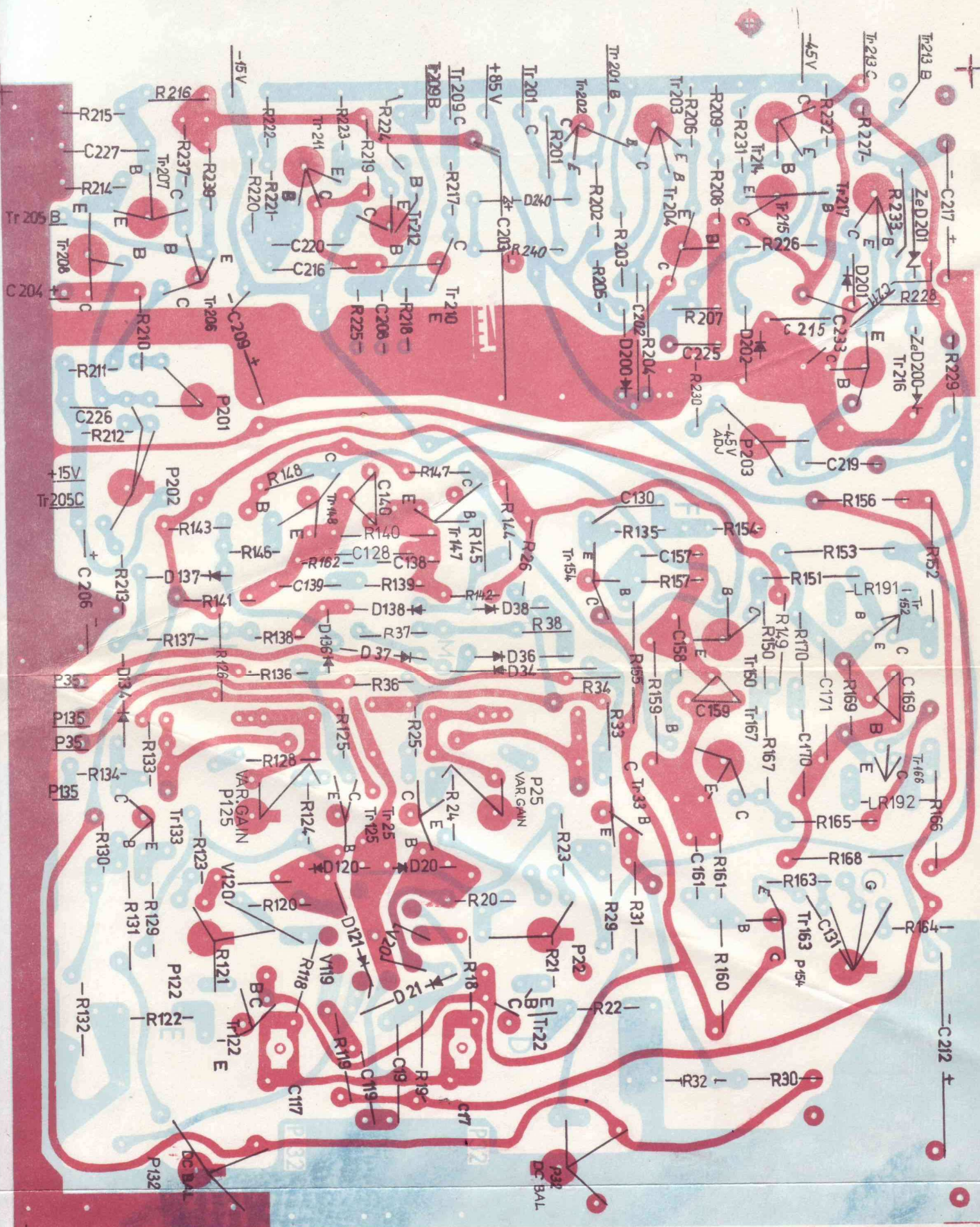


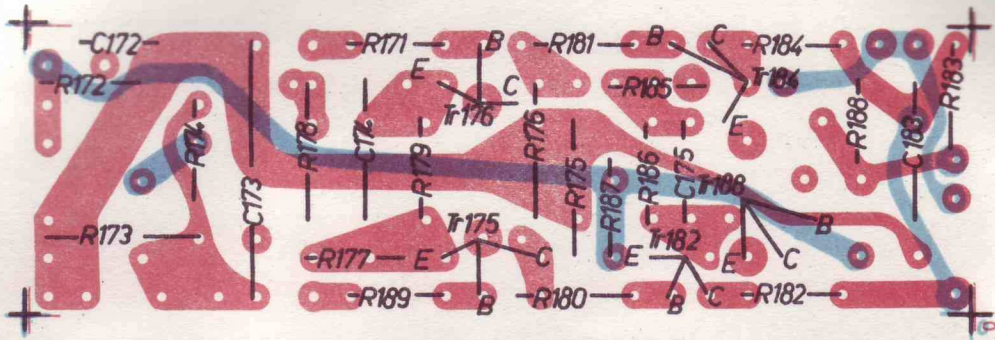
10
EMG-1569



11
EMG-1569







14/3
EMG-1569